



CK ReCirc™ ECO

Data Sheet



DESIGN | MANUFACTURE | INSTALL | MAINTAIN

Component Definition | Recirculation Units | CK ReCirc™ ECO

In order to give you a greater choice of electrical cooking equipment, CK ReCirc™ ECO is available in 3 standard sizes.

ECO 600



ECO 1200



ECO 2000



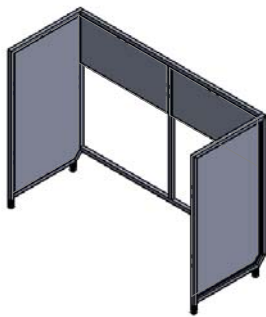
All units are fitted with the same levels of high filtration that are required

All units are fitted with single phase fan motors

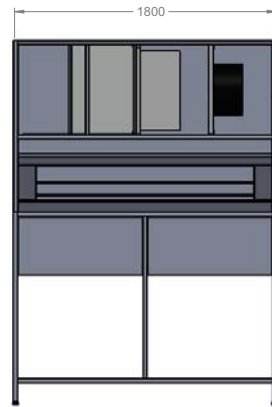
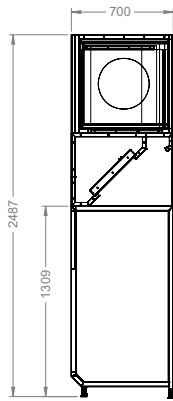
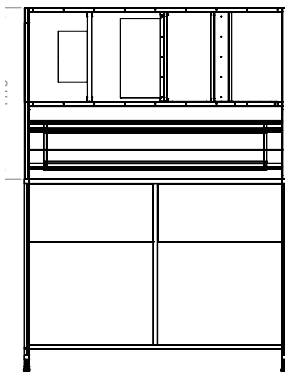
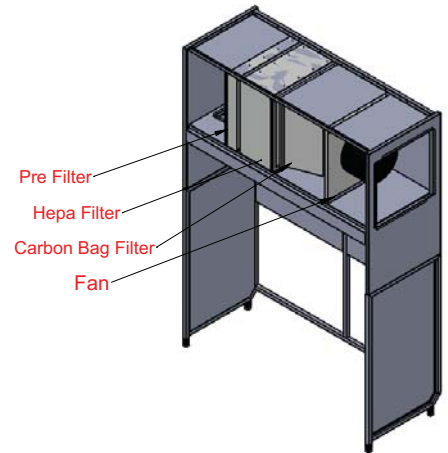
CK Recirc™ ECO Specifications

Model Number	Fan Size	Unit Size	Weight	Power	Motor Rating	Air Flow
ECO- 600	CF450	640 x 700 x 2200mm	140kg	1/Phase	0.66KW	0.3m3/sec
ECO - 1200	CF450	1240 x 700 x 2200mm	140kg	1/Phase	0.66KW	0.4m3/sec
ECO - 2000	CF450	2240 x 700 x 2200mm	140kg	1/Phase	0.66KW	0.6m3/sec

Drawing & Filtration Flow | CK ReCirc™ ECO



Door



Filtration Flow

